



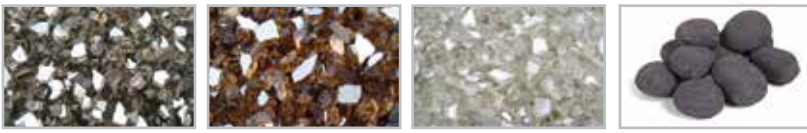
OUTSTANDING FEATURES:

- Modern linear frameless fireplace. Available from 30"-100" long.
- Up to 65,000 BTU, natural gas or propane.
- Double glass or protective screens, heat barrier.
- New multi color LED option.
- Electronic ignition with battery backup.
- "Cold wall" above fireplace, perfect for mounting a TV.
- Optional Summer Kit system.
- Optional Power Vent system.
- Optional ceramic reflective back.
- Includes touch remote control and wall switch.

MODEL SIZE

Model	A	B	C	H	E
Flare-FF-100	101 8/16	97 3/16	16	28	5x8
Flare-FF-80	84 9/16	80 1/16	16	28	5x8
Flare-FF-70	71 15/16	67 11/16	16	28	5x8
Flare-FF-60	62 2/16	57 13/16	16	28	5x8
Flare-FF-50	52 5/16	48	16	28	5x8
Flare-FF-45	45 9/16	41 5/16	16	28	4x6
Flare-FF-30	32 10/16	28 5/16	24	35 14/16	4x6
Flare-FF-100-H	101 8/16	97 3/16	24	35 14/16	5x8
Flare-FF-80-H	84 9/16	80 1/16	24	35 14/16	5x8
Flare-FF-70-H	71 15/16	67 11/16	24	35 14/16	5x8
Flare-FF-60-H	62 2/16	57 13/16	24	35 14/16	5x8
Flare-FF-50-H	52 5/16	48	24	35 14/16	5x8
Flare-FF-45-H	45 9/16	41 5/16	24	35 14/16	4x6
Flare-FF-100-EH	101 8/16	97 3/16	30	42 1/8	5x8
Flare-FF-80-EH	84 9/16	80 1/16	30	42 1/8	5x8
Flare-FF-70-EH	71 15/16	67 11/16	30	42 1/8	5x8
Flare-FF-60-EH	62 2/16	57 13/16	30	42 1/8	5x8
Flare-FF-50-EH	52 5/16	48	30	42 1/8	5x8
Flare-FF-45-EH	45 9/16	41 5/16	30	42 1/8	4x6

MEDIA OPTIONS:



Fireglass
Reflective Silver

Fireglass
Reflective Bronze

Fireglass
Reflective Ice

Black Ceramic Pebbles



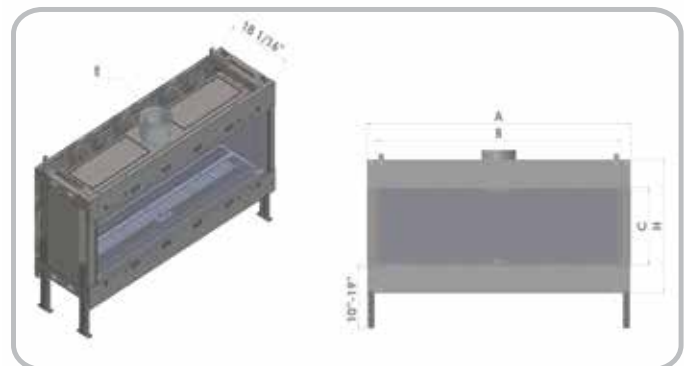
White Ceramic Pebbles



Earth Mix Size Pebbles



Ceramic Wood Logs



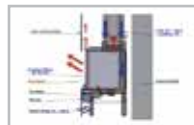
FEATURES



LED OPTION



SUMMER KIT



DOUBLE GLASS
OPTION



16", 24", & 30"
GLASS
HEIGHT



3D STAINLESS STEEL
BURNERS



REMOTE CONTROL



WALL SWITCH



BATTERY
BACKUP

