



S30 Freestanding Gas Stove  
Powder Coated Grey Side Panels

**S30**

FREESTANDING GAS STOVE





# S30

## FREESTANDING GAS STOVE

S30 Freestanding Gas Stove, Painted Black Side Panels

### Gas Stove Details

BTU Input	20,000 BTU's
Area Heated**	1,100 ft <sup>2</sup>
Turn Down	50%
EnerGuide FE Rating	74.5%
Venting	Top / Rear
Glass Size	w17½" x h19¾"
Fuel Compatibility	NG & LP

\*\* Efficiency and area heated will vary according to gas type and venting. Approved for sale in Canada and the United States.

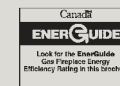
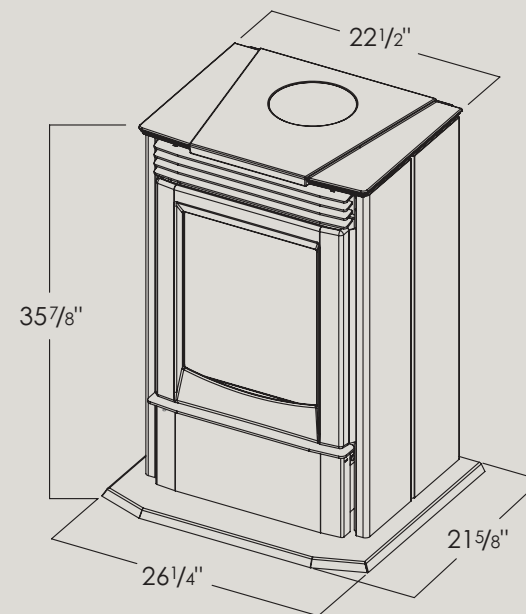
### Clearance to Combustibles

Min. distance to the sides of the unit	10¾"
Min. distance to non-combustible surface behind the unit	4"
Min. distance to non-combustible surface from above the unit	12"

Please see owner's manual for more information

### S30 Features

- European made cast iron accents
- Choice of side panels & ash lip
  - Painted black
  - Powder coated grey
- Nova and IPI editions
- Field conversion kit NG to LP
- Thermostat or remote compatible
- Ceramic logset
- Removable hearth pad
- Top vent / rear vent convertible
- Heavy duty heat exchanger
- Easy access controls
- 150 CFM variable speed fan
- Clear View safety screen



Manufactured by Sherwood Industries Ltd ▪ Victoria, BC, Canada  
 enviro.com ▪ info@enviro.com ▪ Printed in Canada, February 2016