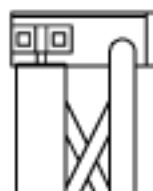


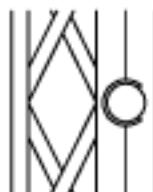
SPECIFICATIONS

MAXIMUM SIZE	17 ft. wide (single gate) or 34 ft. wide (bi-parting gate), 12 ft. high
GATE BODY	Vertical double 14 gauge steel channels spaced approximately 6" apart, with 3 double rows of 3/16" lattice bars between channels, riveted together through zinc plated steel washers
LEAD & REAR BARS LOCKING	14 gauge formed steel box channels Hasp suitable for padlocking gate in closed position (full height lock post on single gate), self-locking steel tie-back arm to hold gate in open position
BOTTOM ROLLERS	Machined steel ball bearing swivel double-wheel rollers in 14 gauge formed steel box channel bottom track with rubber floor pads
TOP GUIDE	Full height vertical double 14 gauge steel channels traveling through 14 gauge formed steel box channel top track
FINISH	Factory applied black, bronze or gray paint
WARRANTY	Two year limited warranty (excluding finish)

COMMON OPTIONS



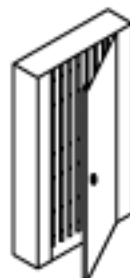
Pivot Gate



High security keyed pin lock



Cylinder locking device

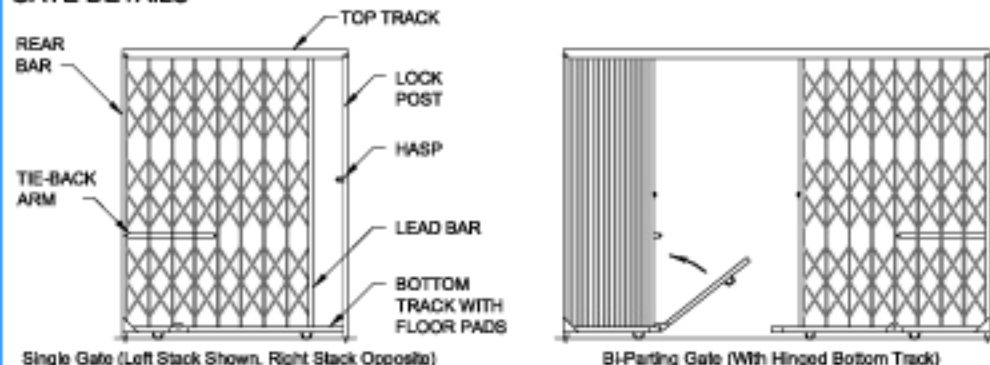


Gate cabinets - surface mount shallow cabinet shown, recessed or deep cabinet designs available

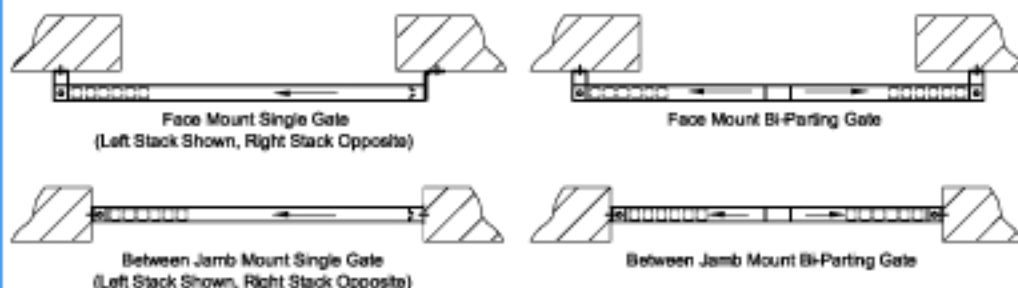
OTHER OPTIONS

- JC-1000 "Quick Release"
- Unequal Pair Gates
- Floating Gate Sections
- Portable Gates
- Powder Coat Finish

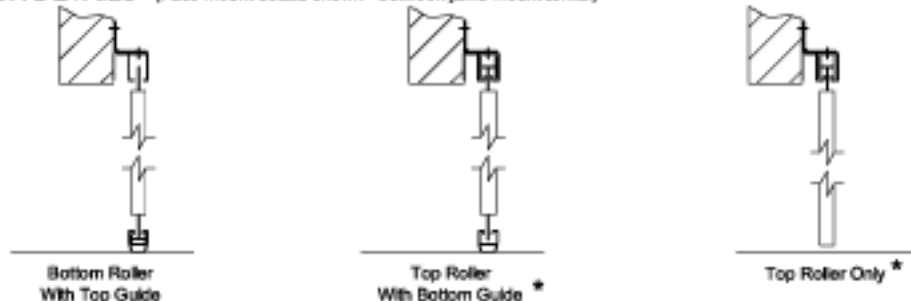
GATE DETAILS



MOUNTING DETAILS



TRACK DETAILS (Face mount details shown - between jamb mount similar)



CLEARANCES:

Allow approximately 2" per ft. of gate width for stacking clearance.

GENERAL NOTES:

Clearances are based upon standard gate construction. Some options may require additional clearance. Shop drawings for specific applications are available. Consult factory for any information not shown.

* Available as an option